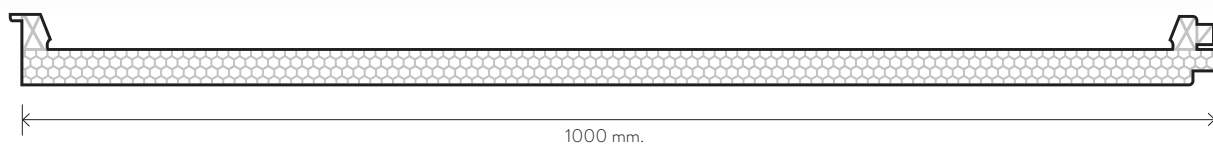
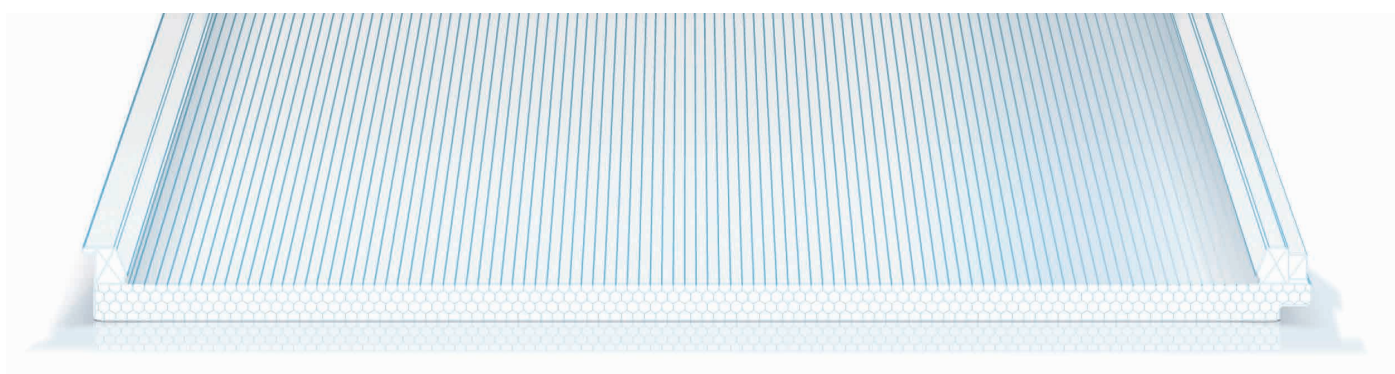




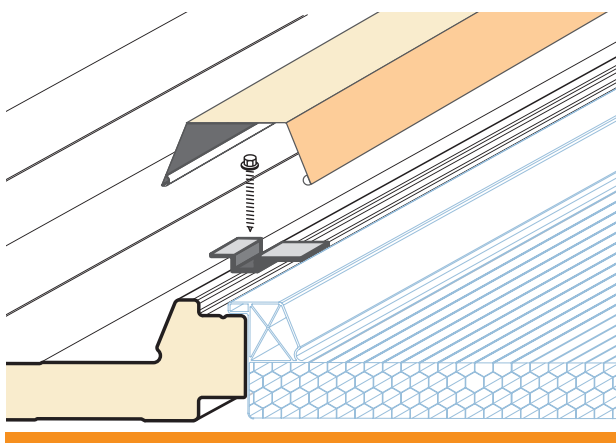
# SKYLIGHT

# Polycarbonate skylight roofing

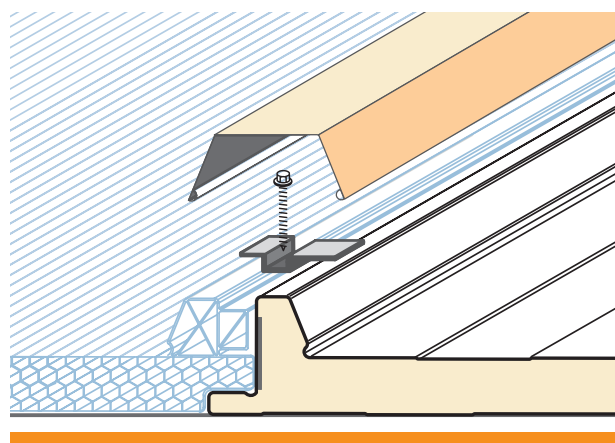
This is a perfectly waterproof solution, 100% effective, providing total watertightness. Its composition makes it a product that has high mechanical strength and durability. **Danpalon®** Polycarbonate provides good thermal insulation and does not require any special maintenance.



Detail of left overlap:



Detail of right overlap:



Thanks to its geometry, installation is quick and easy, since the overlap of the metal panel on the polycarbonate panel is easy to carry out, being similar to the process used for overlapping normal metal panels. These sheets are designed to be sandwiched between metal sandwich panels, creating bands of light at the right intervals, in order to achieve the percentage of light required.

When used with panels of greater thickness, the straps or supports that correspond to the skylight panels must be wedged or supplemented, so that the upper layer of the sandwich panel and that of the polycarbonate sheet are at the same level: the cover cap must stay horizontal.

The sheets are supplied in 30 mm thickness and in opal finish (check with us for other options).



## FUNCTIONS AND BENEFITS OF POLYCARBONATE PANELS

- Lightweight
- Resistance to breakage and aging
- Protection against ultraviolet radiation
- Brightness, allows the passage of natural light



## TECHNICAL SPECIFICATIONS

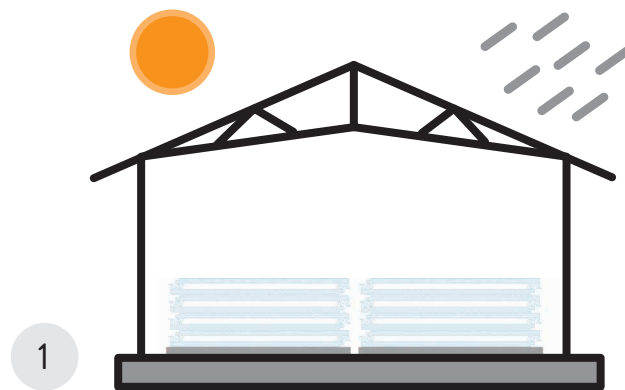


	Values
Length	Máx. transportable
Polycarbonate coverage	1.000 mm.
Weight	4,15 Kg/m <sup>2</sup>
Thickness	30 mm.
Structure	Honeycomb
Min. cold bending radiu	5,500 mm.
Standard colors	Light Opal
Light transmission	39 %
Solar factor	0,46
U.V. protection	Yes
Linear expansion	0,065 mm / °Cm
Thermal insulation	1,60 W / m <sup>2</sup> °C
Acoustic insulation	24 dB
Fire reaction classification	B s1 d0
Warranty	Limited 10 years

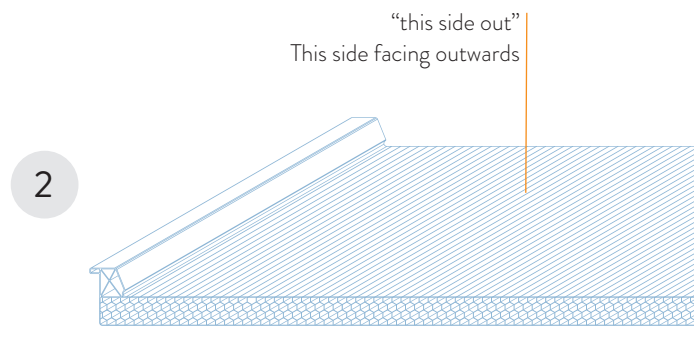
## Polycarbonate skylight roofing

### STANDARDS FOR THE USE AND FITTING OF POLYCARBONATE

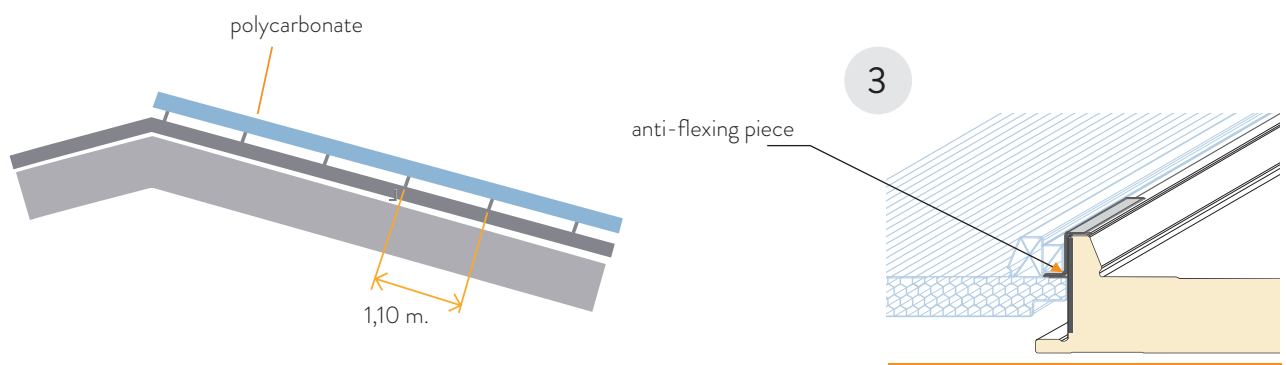
- **Store** the sheets in the shade on a nonabrasive, dry, flat, continuous surface. **DO NOT STORE** the sheets outdoors, exposed to sun or rain, so that you avoid possible deformation and deterioration of the sheets and sticking of the protective film (**pict.1**).
- **Take care** that the sheets do not come into contact with chemicals that can attack the polycarbonate. **AVOID** the sheets coming into contact with plasticised PVC roofing, solvent-based cleaning agents, sprays or any substance that can attack polycarbonate.



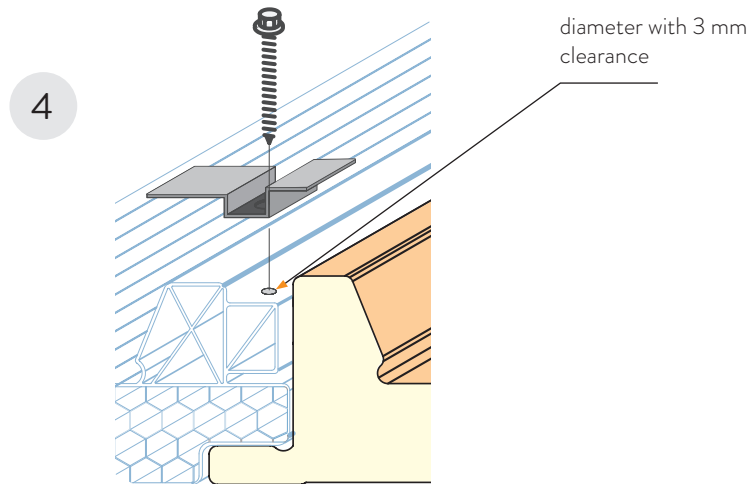
- **Install** the sheets with the side marked «this side out» or «UV protection side» facing towards the sun (**pict.2**).



- **We recommend** that polycarbonate sheets be fitted with a maximum span lengths of 1.100 mm for roofing enclosures; for spans greater than this it is advisable to use anti-flexing parts (**pict.3**). Check with our technical department for the minimum cold bending radii of this material.



- **Drill** the sheets with holes at least 3 mm larger than the screw body. **DO NOT SCREW DOWN** with excessive pressure, to allow movement of the sheet when expanding. **DO NOT** install sheets with induced stresses that can render them brittle or cause microcracks (**pict.4**).



- **Only use** the approved soft washers of EPDM, neoprene or XLPE, compatible with polycarbonate. **NEVER USE P.V.C.** washers.
- **Only use** approved insulation materials such as neutral silicones. **DO NOT USE** incompatible unapproved insulation materials such as polyurethane sealant, polyurethane foam, incompatible silicones etc.
- **Remove** the protective film immediately after installation. **DO NOT** leave the protective film on the sheet after installation. Sunshine will make it adhere to the sheet (**pict.5**).



- **Paint the sheets** (only if unavoidable) exclusively with paints and coating systems approved by the manufacturer. Always consult us first.
- **Clean** the sheets with water and soap (or soft detergent) and a soft sponge. **NEVER CLEAN** sheets with solvents or using brushes that might scratch them.



Polígono Industrial La Cárdena  
Camino de Toledo, s/n • 45221 Esquivias / Toledo / Spain  
Tfno.: +34 925 519 926  
[www.magon.es](http://www.magon.es)  
[masterpanel@magon.es](mailto:masterpanel@magon.es)

---

This document is not a safety manual.

The content and recommendations in the catalogue are informative and non-binding.

**MASTER PANEL, S.L.** reserves the right to modify the content of this document without prior notice.

General Sales Conditions available on our website [www.magon.es](http://www.magon.es)



Polígono Industrial La Cárdena  
Camino de Toledo, s/n • 45221 Esquivias / Toledo / Spain  
Tfno.: +34 925 519 926  
[www.magon.es](http://www.magon.es)

